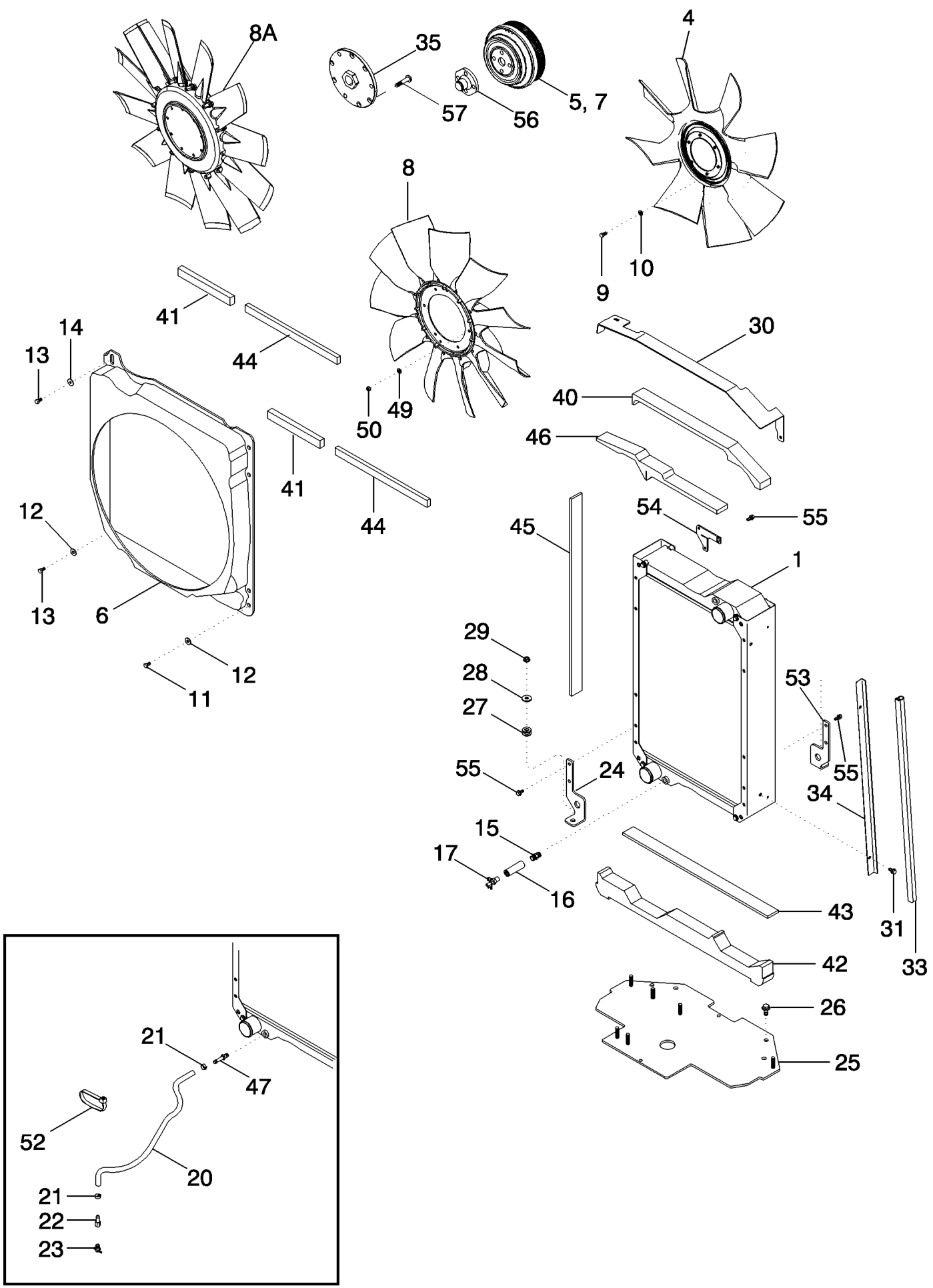


02 -01 RADIATOR AND FAN SHROUD



T8040 TRACTOR (EU) (1/06-)

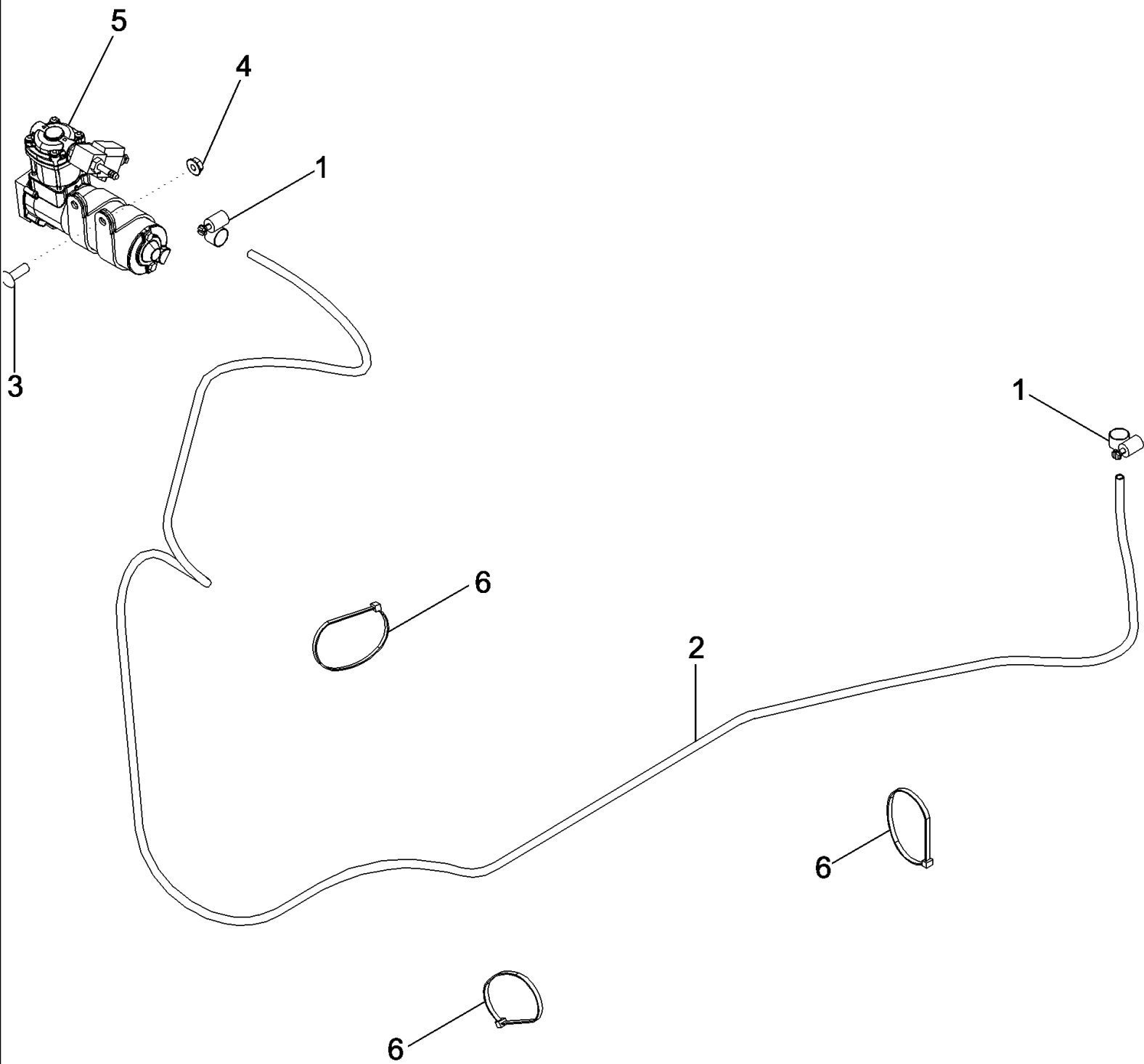
02 -01 RADIATOR AND FAN SHROUD

Ref	Part Number	Qty	Description
1	REFERENCE	1	Radiator Assy, See Figure 02-03
4	87445032	1	FAN, 8 Blade, 127 mm ID, Standard Performance (If Equipped), T8010, T8020, and T8030 With Standard Flow Hydraulic System
5	84160411	1	PULLEY, 180 mm, T8010, T8020, T8030, T8040 and T8050
6	84180028	1	SHROUD,
7	84163207	1	PULLEY, 201 mm, T8040, T8010, T8020, and T8030 With Mega Flow Hydraulic System
8	87311094	1	FAN, 11 Blade, 711 mm (If Equipped), T8010, T8020, and T8030 With Mega Flow Hydraulic System, T8040
8A	87615750	1	FAN, 12 Blade, Variable Pitch (If Equipped)
9	16043224	6	BOLT, Hex, M8 x 16, 8.8, Full Thd,
10	87016603	6	WASHER, 7/16" x 11/16" x 1/16", Hnd,
11	120103	4	BOLT, Hex, M8 x 16, 8.8,
12	895-25008	5	WASHER, M8 x 20 x 1.6,
13	120104	2	BOLT, Hex, M8 x 20, 8.8,
14	86625240	1	WASHER, 5/16",
15	217-1080	1	CONNECTOR, HYD., 1/4"-18 NPTF, , ASN Z6RW04896
16	87350039	1	TUBE, , ASN Z6RW04896
17	217-92	1	COCK, DRAIN, 1/4 PT, ASN Z6RW04896
19	9804277	3	NUT, M8 x 1.25, Flg, Cl 8,
20	87414102	1	HOSE, 9.5 ID x 500 mm (3/8 ID x 19-11/16 in), Cut From 194882A1, BSN Z6RW04896
21	1348264C1	2	CLAMP, HOSE, 3/8 ID, BSN Z6RW04896
22	217-180	1	FITTING, 3/8" Hose x 1/4" NPTF, Fem, Barbed, , BSN Z6RW04896
23	86642421	1	CLAMP, HOSE, #8, 1/2", Spring, 1/4 PT, BSN Z6RW04896
24	87444037	2	BRACKET, Rear Support
25	87356523	1	SUPPORT,
26	9804266	5	BOLT, Hex Flg, M12 x 25, 8.8,
27	434177A1	3	ISOLATOR,
28	495-81148	3	WASHER, 7/16" x 1 1/4" x .134",
29	9804278	3	NUT, M10 x 1.5, Flg, Cl 8,
30	86988830	1	PLATE,
31	555-1	4	BOLT, Hex Flg, M8 x 16, 8.8,
33	84183381	1	SEAL,
34	87438139	1	CHANNEL,
35	84163965	1	PLATE, Variable Pitch Fan Adapter
40	87307220	1	SEAL,
41	87305705	2	SEAL,
42	87386756	1	SEAL,
43	426352A1	1	SEAL,
44	87305704	2	SEAL,
45	87391827	1	SEAL,
46	87356524	1	SEAL,
47	217-151	1	FITTING, 3/8" Hose X 1/4" NPTF Beaded, , BSN Z6RW04896
49	496-11034	6	WASHER, 11/32" x 11/16" x 1/16", HDN,

T8040 TRACTOR (EU) (1/06-)

02 -01 RADIATOR AND FAN SHROUD

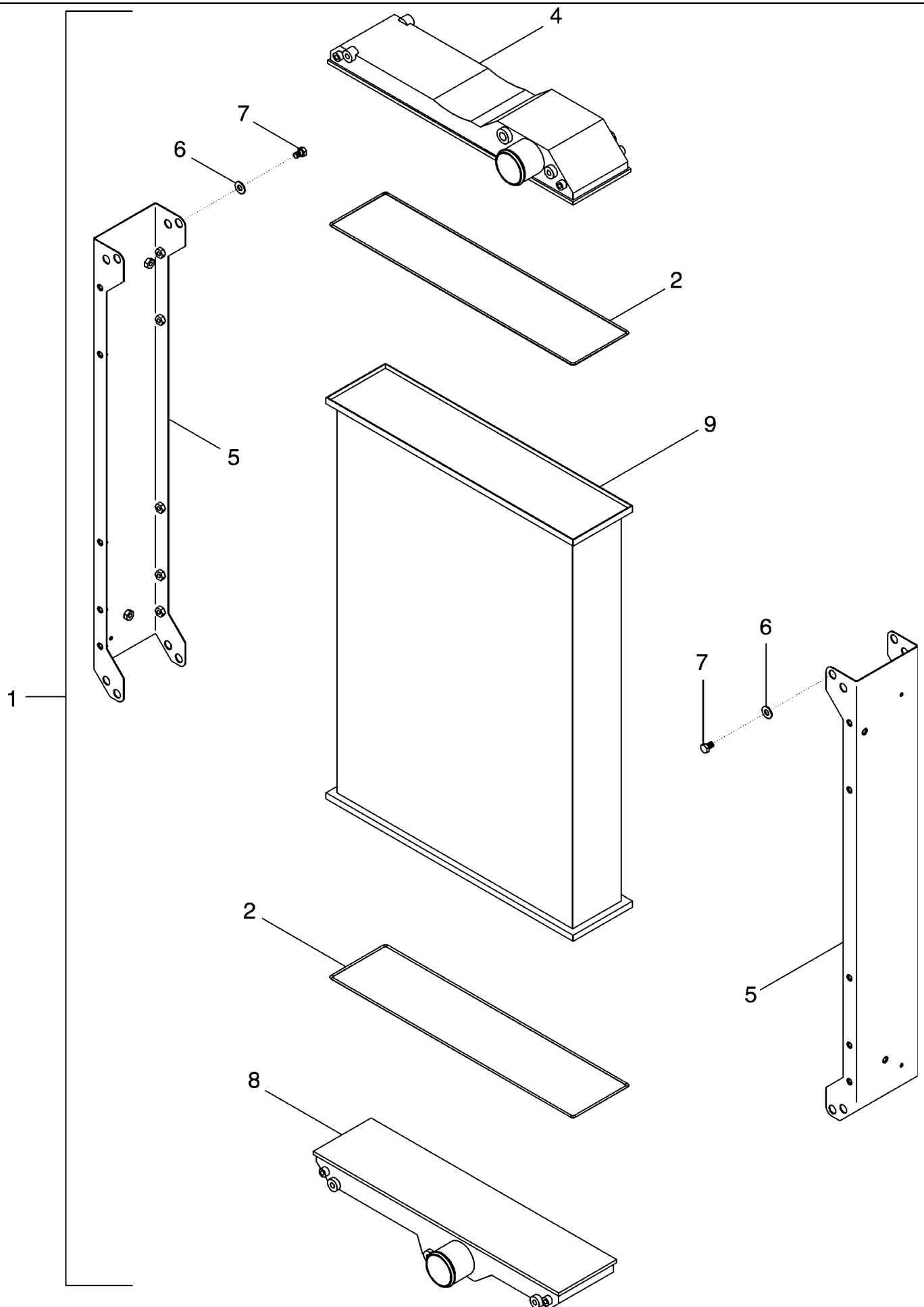
Ref	Part Number	Qty	Description
50	829-1408	6	NUT, M8, CI 10,
52	L11541	1	STRAP, CABLE,
53	87444042	1	BRACKET,
54	87607580	1	BRACKET,
55	87360874	6	SCREW, M8 x 16; 8.8
56	84163963	1	SHAFT, Use with 84163207, 201 mm Pully
56	87456345	1	SHAFT, Use with 84160411, 180 mm Pully
57	14442031	AR	SCREW, Hex Soc Flat Hd, M8 x 20, 10.9,



T8040 TRACTOR (EU) (1/06-)

02 -02 VARIABLE PITCH FAN SYSTEM

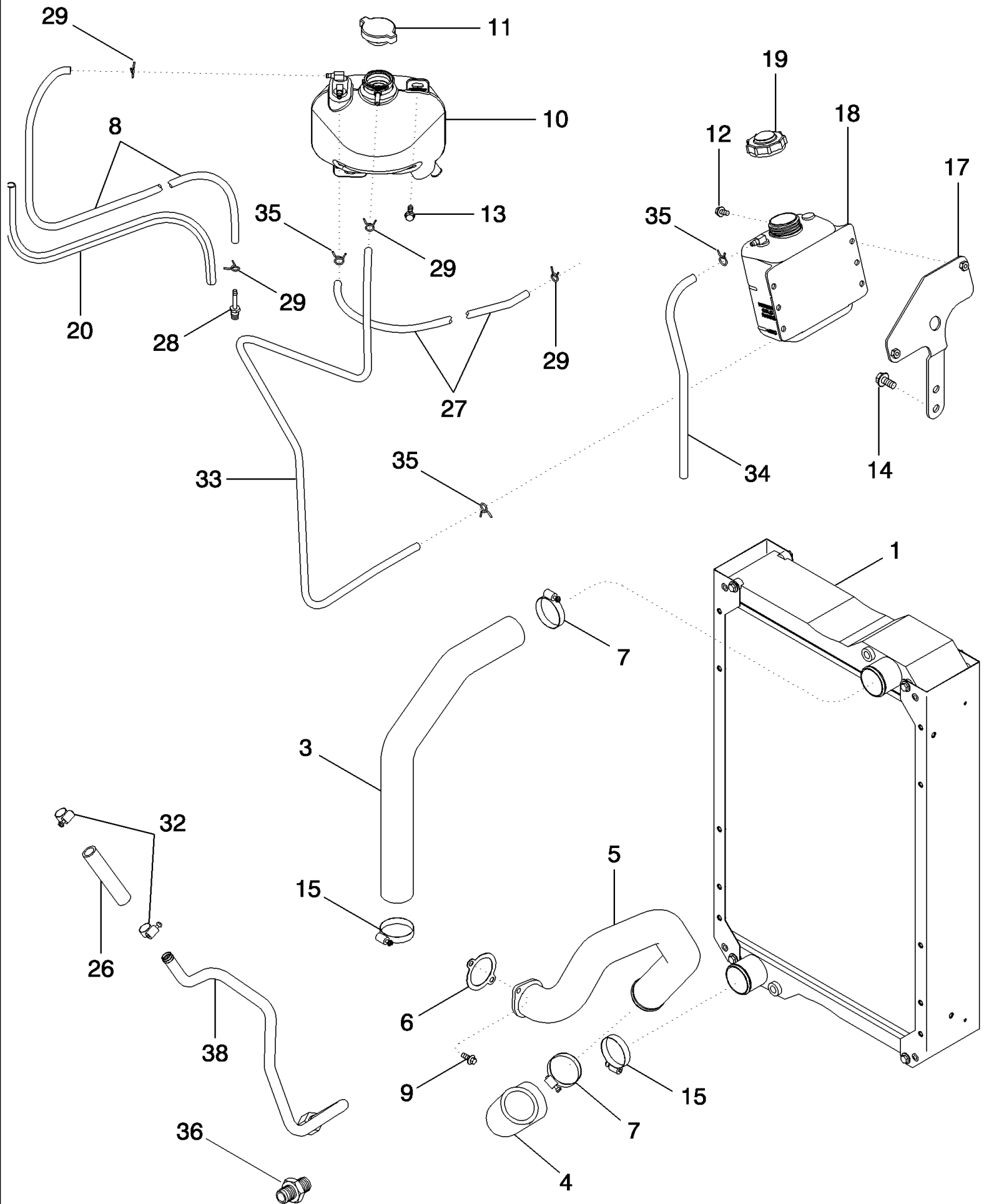
Ref	Part Number	Qty	Description
1	84140005	2	CLAMP, HOSE, Compressor To Fan Hose
2	84139922	1	HOSE, Variable Speed Fan
3	308761	2	BOLT, CARRIAGE, Short NK, M8 x 25, CI8.8, Full Thd, Compressor To Cab Firewall, T8010, T8020, T8030, and T8040
3	9671714	2	BOLT, Hex Flg, M8 x 25, 8.8, Compressor To Hood Support, T8050
4	9804277	2	NUT, M8 x 1.25, Flg, CI 8, Compressor To Cab Firewall, T8010, T8020, T8030, and T8040
4	412250	2	NUT, LOCK, M8 x 1.25, CI 8, Compressor To Hood Support, T8050
5	87620726	1	COMPRESSOR, Variable Speed Fan
6	A169433	3	STRAP, SECURING,



T8040 TRACTOR (EU) (1/06-)

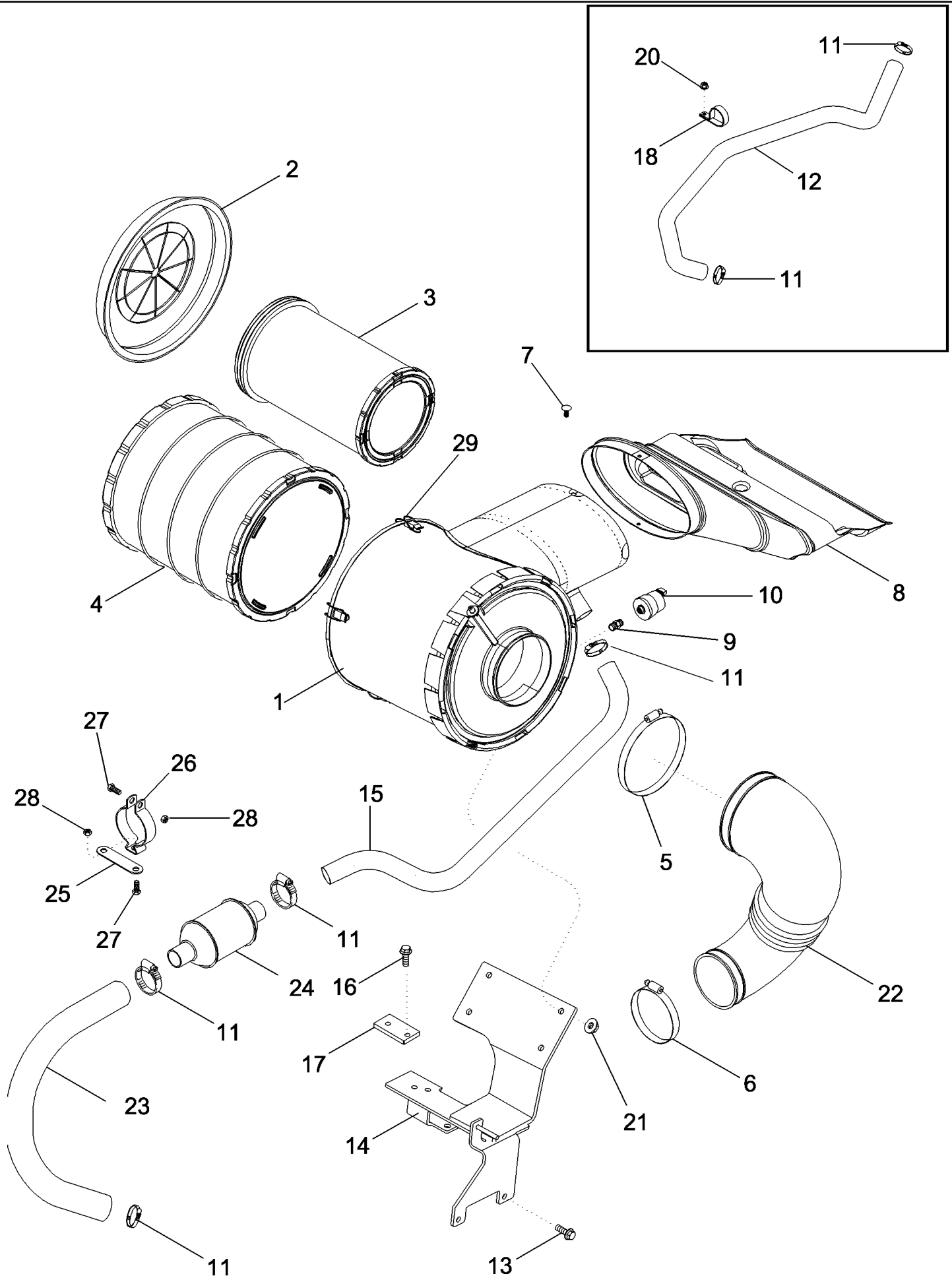
02 -03 RADIATOR ASSEMBLY

Ref	Part Number	Qty	Description
1	87454938	1	RADIATOR, 4 Row, Inc. 2 - 9, T8010 and T8020
1	87448824	1	RADIATOR, 5 Row, Inc. 2 - 9, T8030, T8040 and T8050
2	175163A1	2	GASKET,
4	394509A1	1	TANK, Upper
5	87452601	2	CHANNEL,
6	86625263	8	WASHER, M8 x 20 x 1.6,
7	336199	8	BOLT, Hex, M8 x 12, 8.8, Full Thd,
8	87452600	1	TANK, Lower
9	NSS	1	NOT SERVICED SEPARATELY, Core



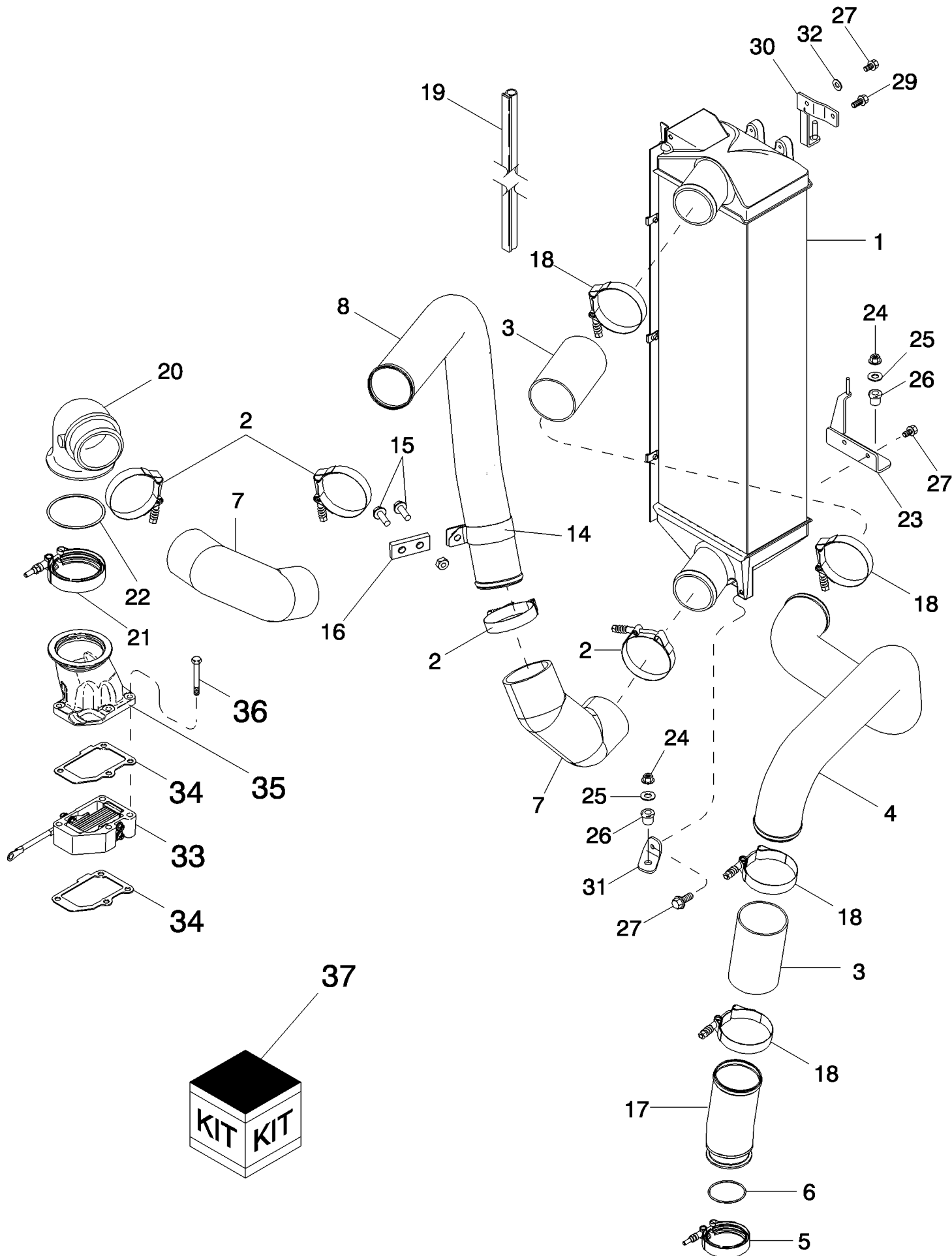
02 -04 DEAERATION SYSTEM

Ref	Part Number	Qty	Description
1	REFERENCE	1	Radiator, See Figure 02-03
3	87367864	1	HOSE,
4	87381277	1	HOSE, Radiator, Lower
5	87428286	1	TUBE, Radiator, Lower
6	J945603	1	GASKET,
8	87429344	1	HOSE, 6.4 ID x 960 mm (1/4 ID x 37-13/16 in), Cut From 382997C2
9	87403515	2	BOLT, M8 x 20; 8.8
10	87413715	1	RESERVOIR,
11	A170241	1	CAP, RADIATOR, 15 psi
12	555-1	2	BOLT, Hex Flg, M8 x 16, 8.8,
13	9671714	2	BOLT, Hex Flg, M8 x 25, 8.8,
14	87424025	2	SCREW,
15	214-3248	2	CLAMP, HOSE, 2.25/3.125 HD Worm, W/liner, , BSN Z6RW04896
15	L115548	4	CLAMP, 2-14 - 3-1/8, Constant Torque, ASN Z6RW04896
17	87381548	1	BRACKET,
18	L127093	1	RESERVOIR,COOLANT EXPNSN,
19	238903A1	1	CAP, FILLER,
20	435562A1	1	CONDUIT,
26	87429243	1	HOSE, 19.1 x 125 mm (3/4 ID x 4-15/16 in), Cut From 364360C2
27	87429340	1	HOSE, 6.4 ID x 800 mm (1/4 ID x 31-1/2 in), Cut From 382997C2
28	87016893	2	FITTING, 1/4" Hose X 1/4" NPTF Beaded, 1/4 stem x 1/4 PT
29	214-1308	1	CLAMP, HOSE, #8, 1/2", Spring,
32	86625021	2	CLAMP, HOSE, #12, 0.69/1.25 Type F Worm, 13/16 - 1-1/2
33	87338147	1	HOSE, 6.4 ID x 1650 mm (1/4 ID x 65 in), Cut From 382997C2
34	242070A1	1	HOSE, 7.9 ID x 450 mm (9/16 ID x 17-23/32 in), Cut From 414365C2
35	87589798	6	CLAMP, HOSE, 1/2
36	218-536	1	ELBOW, 45ε, 1 1/1"6-12, 37ε x 3/4"-14, NPTF, Engine Fitting, If Used
36	218-446	1	CONNECTOR, HYD., 1 1/16"-12, 37ε x 3/4"-14, NPTF, Engine Fitting, If Used
38	87408380	1	TUBE, Deaeration Tank to Engine, To be Used with Elbow (ref 36) 218-536, If Used
38	87746651	1	TUBE, Deaeration Tank to Engine, To be Used with Straight Fitting (ref 36) 218-446, If Used



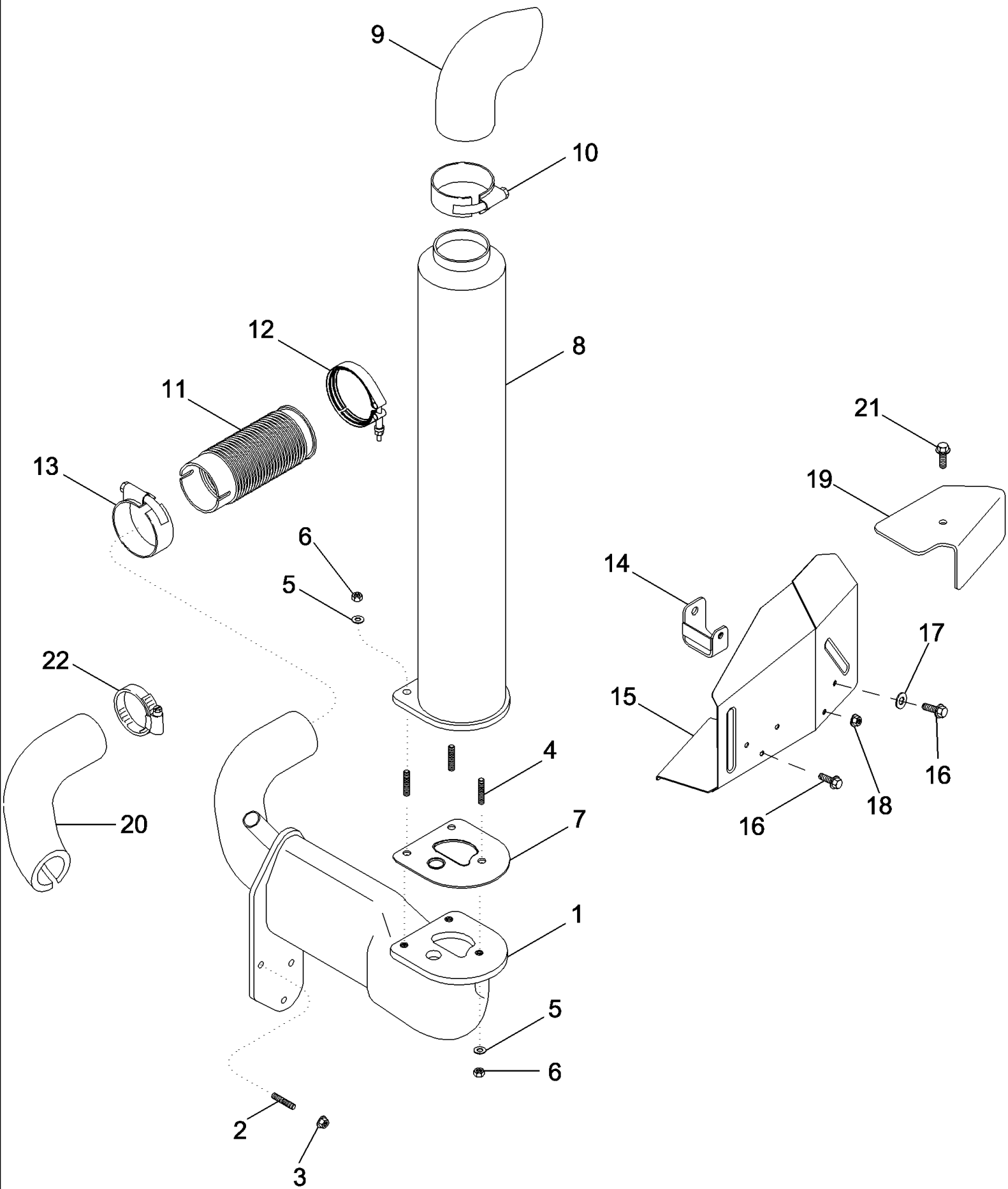
02 -05 AIR INDUCTION SYSTEM

Ref	Part Number	Qty	Description
	87325509	1	AIR CLEANER, ASSY, Inc. 29, BSN Z8RW03733
	87741563	1	AIR CLEANER, ASSY, Inc. 1 - 4, 29, ASN Z8RW03733
1	87741571	1	AIR CLEANER, Housing, ASN Z8RW03733
2	379554A1	1	COVER, , ASN Z8RW03733
3	87408705	1	FILTER, AIR, Secondary, BSN Z8RW03733
3	87741569	1	FILTER, AIR, Secondary, ASN Z8RW03733
4	87408704	1	FILTER, AIR, Primary, BSN Z8RW03733
4	87741560	1	FILTER, AIR, Primary, ASN Z8RW03733
5	87443382	1	CLAMP, HOSE, 162 - 170 mm
6	87443381	1	CLAMP, HOSE, 111 - 119 mm
7	93199C1	2	FASTENER,
8	87453555	1	DUCT, AIR, , BSN Z7RZ04678
8	87673632	1	SHIELD, , ASN Z7RZ04678
9	86017142	1	CONNECTOR, HYD., 1/8"-27 NPTF,
10	87013666	1	SWITCH, RESTRICTION, Air Filter Restriction
11	214-1424	2	CLAMP, HOSE, #24, 1.06/2.00 Type F Worm, , BSN Z6RW03280
11	214-1424	4	CLAMP, HOSE, #24, 1.06/2.00 Type F Worm, , ASN Z6RW03280
12	87455465	1	HOSE, 1265 mm, When Replacing 87455465 (1265 mm Long) with 87525734 (590 mm Long), You Must Order Quantity of 2 of Hose 87525734 and Quantity of 1 of Check Valve 284427A1, BSN Z6RW03280
13	844-10020	2	BOLT, Hex Flg, M10 x 20, 8.8,
14	87311549	1	SUPPORT, , BSN Z8RW03733
14	87673546	1	SUPPORT, , ASN Z8RW03733
15	87443700	1	HOSE, Aspirator
16	9804262	2	BOLT, Hex Flg, M10 x 30, 8.8,
17	87311550	1	SPACER,
18	87313355	1	CLAMP, , BSN Z6RW03280
20	825-2408	2	NUT, M8 x 1.25, Flg, CI 8, , BSN Z6RW03280
21	825-2410	4	NUT, M10 x 1.5, Flg, CI 8,
22	87340352	1	HOSE,
23	87525734	1	HOSE, Aspirator, 590 mm, ASN Z6RW03280
24	284427A1	1	VALVE, Check, Aspirator, ASN Z6RW03280
25	87523362	1	BRACKET, , ASN Z6RW03280
26	87300581	1	CLAMP, , ASN Z6RW03280
27	80043233	2	SCREW, , ASN Z6RW03280
28	86528579	2	NUT, LOCK, M8 x 1.25, CI 10, , ASN Z6RW03280
29	87493669	4	LATCH, Air Filter



02 -06 AFTERCOOLER

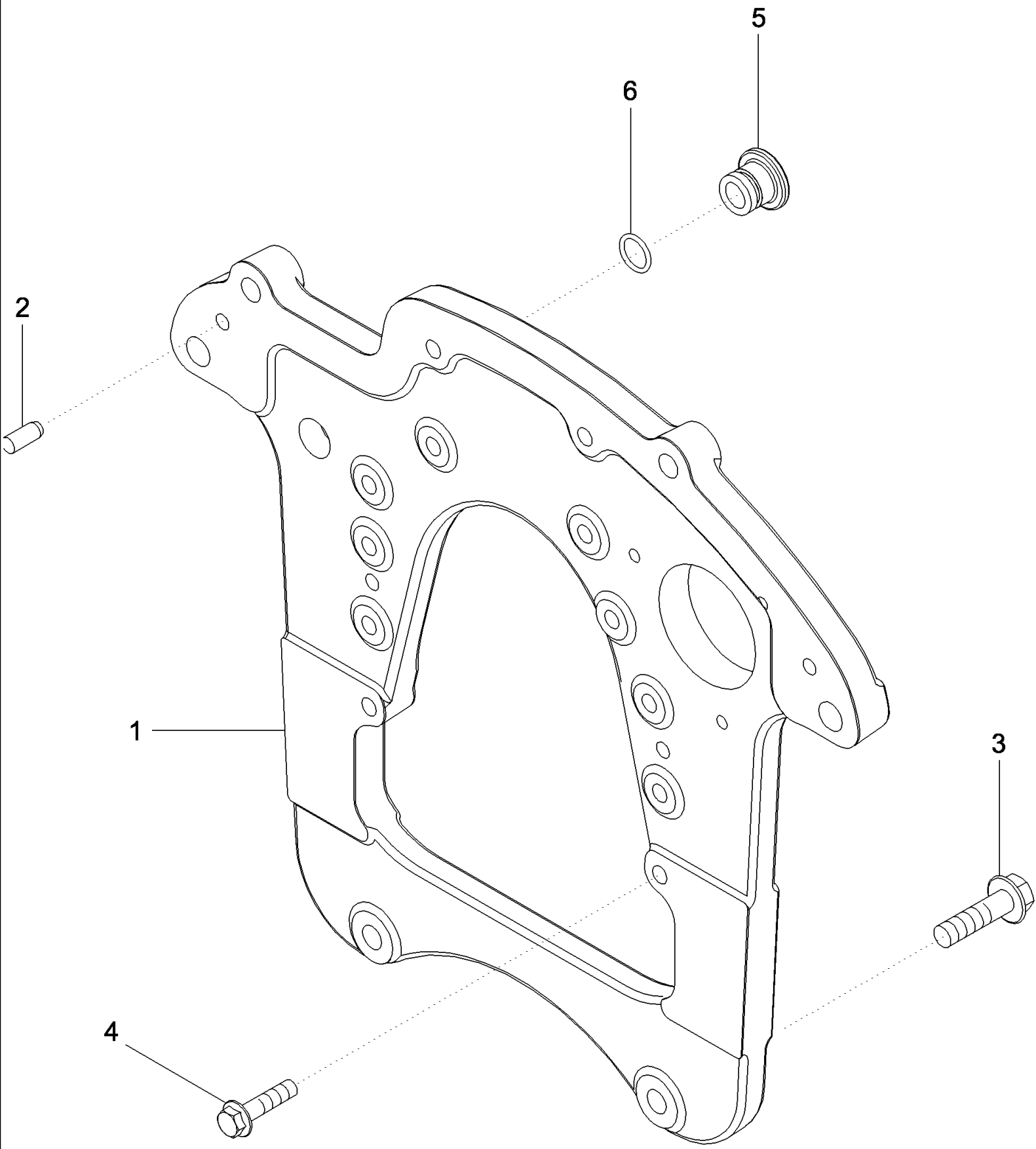
Ref	Part Number	Qty	Description
1	87365938	1	COOLER ASSY., Air to Air
2	352198A1	4	CLAMP,
3	377592A1	2	HOSE,
4	87376624	1	TUBE, Turbo to Cooler, BSN Z7RW01293
4	87522804	1	TUBE, Turbo to Cooler, BTW Z7RW01293 & Z7RZ02632
4	87605614	1	TUBE, Turbo to Cooler, ASN Z7RZ02632
5	J069053	1	CLAMP,
6	J883284	1	O-RING,
7	84171997	2	HOSE, Aftercooler to Manifold
8	87346133	1	TUBE ASSY., Cooler to Intake Manifold, BSN Z7RW01293
8	87522788	1	TUBE, Cooler to Intake Manifold, BTW Z7RW01293 & Z7RZ02632
8	84171724	1	TUBE, Cooler to Intake Manifold, ASN Z7RZ02632
14	84158617	1	CLAMP,
15	844-10030	2	BOLT, Hex Flg, M10 x 30, 8.8, Full Thd,
16	84158616	1	STRAP,
17	87429376	1	TUBE, , BSN Z7RW01293
17	87522805	1	TUBE, , ASN Z7RW01293
18	364751A1	4	CLAMP,
19	84183381	1	SEAL,
20	87341882	1	ELBOW,
21	87434593	1	CLAMP,
22	87434592	1	SEAL,
23	87391917	1	BRACKET, , BSN Z7RW05168
23	87607579	1	BRACKET, , ASN Z7RW05168
24	9804278	3	NUT, M10 x 1.5, Flg, Cl 8,
25	86625242	3	WASHER, 7/16" x 1 1/4" x .134",
26	434177A1	3	ISOLATOR,
27	9671714	4	BOLT, Hex Flg, M8 x 25, 8.8,
29	9804260	1	BOLT, Hex Flg, M8 x 30, 8.8, Full Thd,
30	87358312	1	BRACKET,
31	87357637	1	BRACKET, , BSN Z7RW05168
31	87607581	1	BRACKET, , ASN Z7RW05168
32	895-11008	1	WASHER, M8 x 16 x 1.6,
33	87753829	1	HEATER, Intake Air
34	87335272	2	GASKET, Connection
35	87340026	1	CONNECTOR, MULTIPOLE,
36	845-8080	4	BOLT, Hex Flg, M8 x 80, 8.8,
37	84176745	1	KIT, SERVICE, Service, CAC, Tube, Inc. 7 - 16



T8040 TRACTOR (EU) (1/06-)

02 -07 EXHAUST SYSTEM

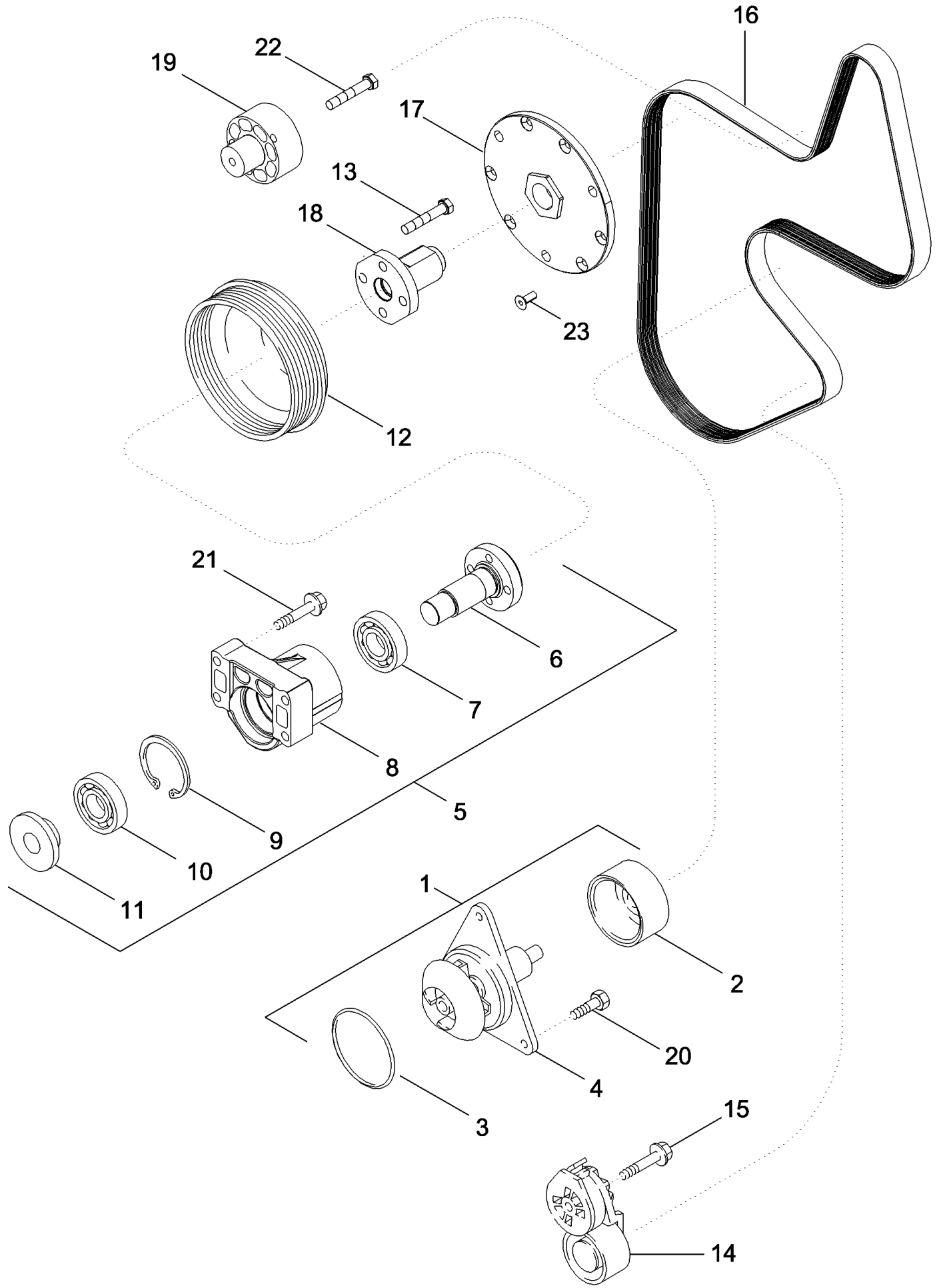
Ref	Part Number	Qty	Description
1	87588160	1	SUPPORT,
2	87331258	3	STUD,
3	829-2412	3	NUT, M12 x 1.75, Flg, CI 10,
4	387795A1	3	STUD, M12 x 1.75-6g x 69
5	387798A1	3	WASHER, M12 x 13.5 x 3
6	387796A1	3	NUT, M12
7	226775A1	1	GASKET,
8	87369372	1	MUFFLER, Standard, With 4 in Exhaust Outlet, If Used
8	87623384	1	MUFFLER, Standard, With 4.5 in Exhaust Outlet, If Used
8	87369363	1	MUFFLER, Spark Arrester, South Africa Only
9	87381922	1	EXTENSION, Exhaust, Use With Muffler 87369372, 4 in ID
9	87623361	1	EXTENSION, Exhaust, Use With Muffler 87623384, 4.5 in ID
10	87449404	1	CLAMP, Use With Muffler 87369372
10	A173381	1	CLAMP, Use With Muffler 87623384
11	87647052	1	FITTING, PIPE,
12	A170807	1	CLAMP,
13	87427885	1	CLAMP,
14	87335691	1	BRACKET, Heat Shield
15	87690821	1	SHIELD,
16	844-8020	5	BOLT, Hex Flg, M8 x 20, 8.8,
17	495-81120	1	WASHER, .344" x 1 1/4" x .120",
18	825-2408	1	NUT, M8 x 1.25, Flg, CI 8,
19	87451651	1	BRACKET, Manifold Shield
20	87483045	1	INSULATION, FOAM, Exhaust Support
21	844-10016	1	BOLT, Hex Flg, M10 x 16, 8.8, Full Thd,
22	214-3280	2	CLAMP, HOSE, 4.25/5.125 HD Worm, W/liner,



T8040 TRACTOR (EU) (1/06-)

02 -08 ENGINE SUPPORT HOUSING ASSEMBLY

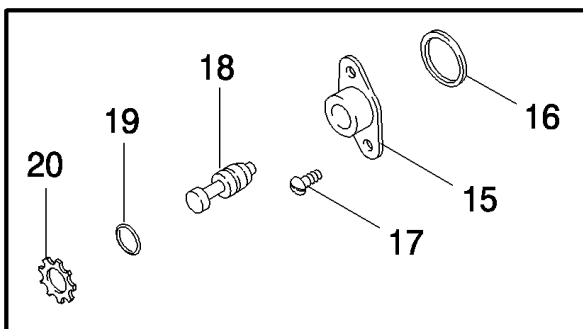
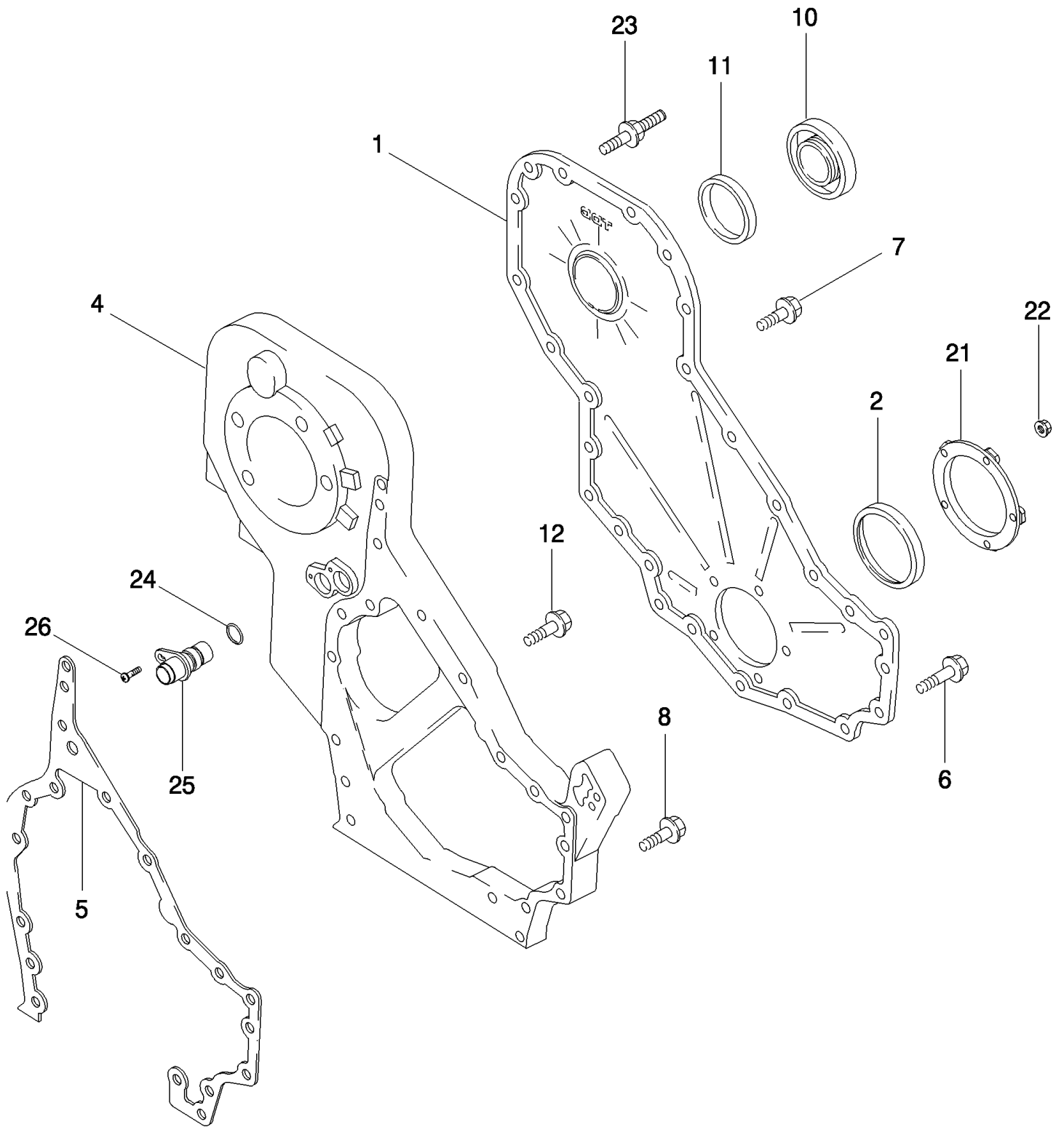
Ref	Part Number	Qty	Description
1	87427174	1	HOUSING ASSY., Engine Support, Inc. 2
2	86978768	2	DOWEL, M12 x 30,
3	854-12050	4	BOLT, Hex Flg, M12 x 50, 10.9,
4	86642458	12	BOLT, Hex Flg, M12 x 50, 10.9,
5	J910248	1	PLUG,
6	238-5212	1	O-RING, -212, 70 Duro, .859" ID x .139" Thk,
7	87644289	2	PLUG,



T8040 TRACTOR (EU) (1/06-)

02 -09 WATER PUMP SYSTEM

Ref	Part Number	Qty	Description
1	87308650	1	KIT, WATER PUMP REPAIR, Water Pump, Inc.2 - 4
2	NSS	1	NOT SERVICED SEPARATELY, Pulley
3	238-5244	1	O-RING, -244, 70 Duro, 4.234" ID x .139" Thk,
4	NSS	1	NOT SERVICED SEPARATELY, Pump
5	87408931	1	SUPPORT, Inc. 6 - 11
6	J934104	1	HUB,
7	NSS	1	NOT SERVICED SEPARATELY, Bearing
8	NSS	1	NOT SERVICED SEPARATELY, Support
9	100-21244	1	RING, SNAP, 2.44", Int, #244,
10	J933440	1	BEARING, BALL,
11	J931016	1	RETAINER,
12	87598223	1	PULLEY, 201 mm (If Equipped), With Air Brakes, T8010, T8020, T8030 and T8040
12	87598225	1	PULLEY, 180 mm (If Equipped), With Air Brakes, T8050
12	87598228	1	PULLEY, 201 mm (If Equipped), T8010, T8020, T8030 And T8040, Without Air brakes
12	87598226	1	PULLEY, 180 mm (If Equipped), Without Air brakes, T8050
13	43140	4	BOLT, Hex, M10 x 30, 8.8, Full Thd,
14	87345929	1	TENSIONER, BELT,
15	J282433	1	SCREW, Hex Flg, M10 x 1.5 x 85,
16	87441270	1	BELT, 8 Blade Fan (If Equipped), T8010, T8020, T8030 And T8040
16	87441272	1	BELT, 11 Blade Fan, Variable Pitch Fan (If Equipped), T8050
17	87705367	1	PLATE, Fan Adapter, Variable Pitch (If Equipped), BSN Z7RW05000
18	87515457	1	SHAFT, Fan Adapter
19	87395364	1	PULLEY, Idler
20	87351192	3	BOLT, M8 x 28
21	854-10050	4	BOLT, Hex Flg, M10 x 50, 10.9,
22	87380501	1	BOLT, Idler Pulley
23	14442031	6	SCREW, Hex Soc Flat Hd, M8 x 20, 10.9, Variable Pitch Fan (If Equipped), BSN Z7RW05000



T8040 TRACTOR (EU) (1/06-)

02 -10 FRONT GEAR COVER

Ref	Part Number	Qty	Description
1	87340005	1	COVER,
2	NSS	1	NOT SERVICED SEPARATELY, Seal, Order A77790, A77808, See Figure 02-27
4	J945852	1	TRANSMISSION HOUSING,
5	J944293	1	GASKET,
6	J926863	11	BOLT, M8 x 50
7	845-8016	15	BOLT, Hex Flg, M8 x 16, 8.8, Full Thd,
8	J926846	3	BOLT, M8 x 20
10	J903463	1	COVER,
11	J903475	1	SEAL,
12	J943885	2	BOLT, M8 x 40
15	J919683	1	HOUSING,
16	J915772	1	SEALRING,
17	J907998	2	SCREW, LOCK, Spc Rd Torx Hd, M5 x 17,
18	J903924	1	PIN,
19	J913994	1	O-RING,
20	86642288	1	CIRCLIP, No. 87
21	J941786	1	CARRIER,
22	87493304	5	NUT, Lock, M6
23	J921816	2	BOLT, SPECIAL,
24	87400235	1	O-RING,
25	87338343	1	PLUG,
26	845-6015	1	BOLT, Hex Flg, M6 x 15, 8.8, Full Thd,
	217-438	2	PLUG, Hex Soc, 1/2"-14, (Not Shown)
	217-441	1	PLUG, Hex Soc, 3/4"-14 NPTF, (Not Shown)
	J920706	1	PLUG, (Not Shown)

**Thanks very much for your reading,
Want to get more information,
Please click here, Then get the complete
manual**

JustClickHere 

NOTE:

**If there is no response to click on the link above,
please download the PDF document first, and then
click on it.**

**Have any questions please write to me:
admin@servicemanualperfect.com**